

SPECIFICATIONS

1310nm Low DOP Superluminescent LED 8-Pin Butterfly Package DL-CS31084C-LDP

8 Apr 2021

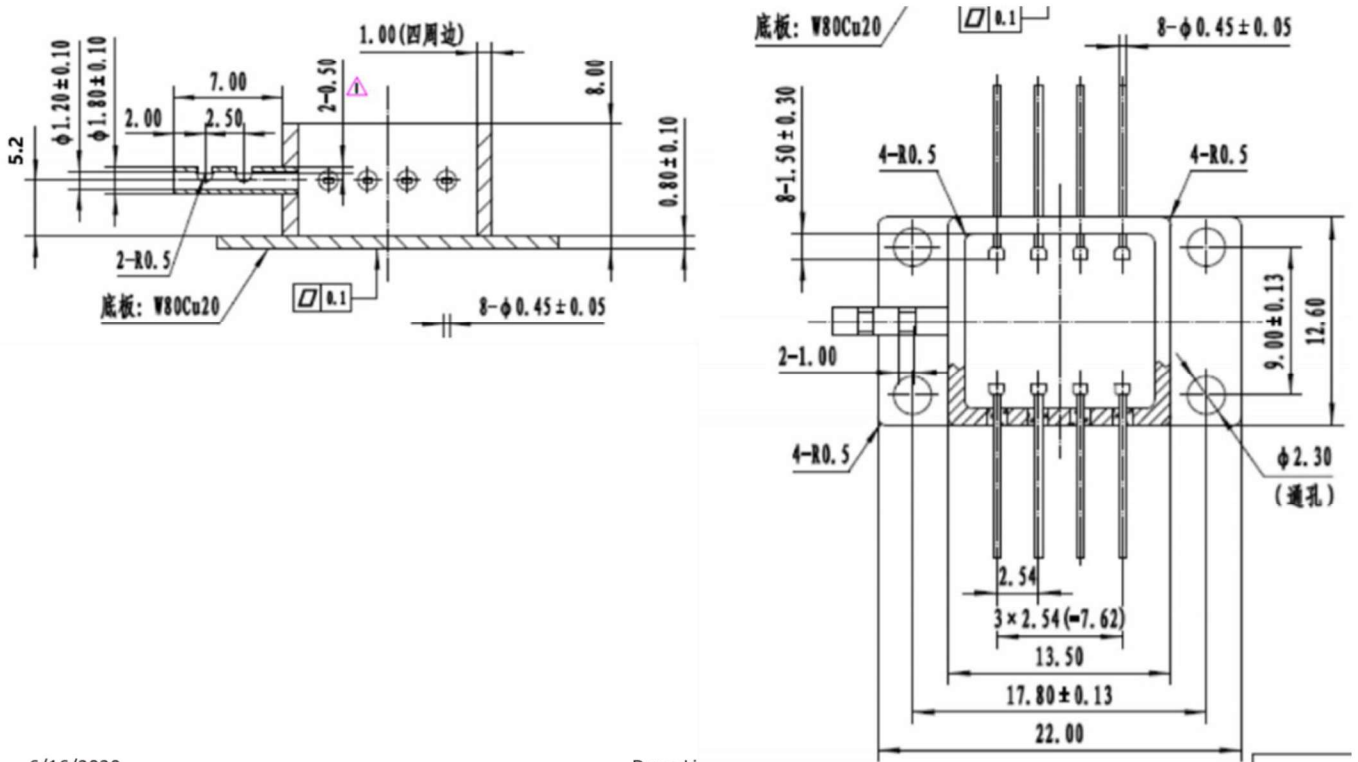
A. PRODUCT DESCRIPTION

This DL-CS31084C-LDP product is a 1310nm Superluminescent LED (SLED) in a 8-pin butterfly package designed to have a low degree of polarization (DOP) and broad bandwidth. The low DOP SLED 8-pin butterfly has a minimum fiber output power of 0.85mW at 100mA. It comes with a mounted thermistor for temperature monitor and control.

B. ELECTRO-OPTICAL CHARACTERISTICS

Parameter	Symbol	Condition	Min	Typ	Max	Unit
Center Wavelength	λ_c	CW	1290	1310	1330	nm
Bandwidth FWHM	BW	CW	34	-		nm
Power	P _o	CW, 100mA	0.85	-		mW
Spectral Ripple	RP	CW	-	-	0.2	dB
Polarization Extinction Ratio	PER	CW, 100mA	-	-	1.2	dB
Change in fiber output power during temperature cycling (Temp: -50C to +75C)	$\delta P/\delta T$	-	-	-	8	%
Change in mean wavelength during temperature cycling (Temp: -50C-75C)	$\delta \lambda/\delta T$	-	-	-	0.8	nm
TEC driving current	TECL	-	-	-	700	mA
TEC Controller Resistance Setting	TECR	-	9.8	10	10.2	kohm
Connector Type	-	-	FC/APC	-	-	-
Fiber Type	-	-	PM 6um fiber, 900um loose buffer	-	-	-
Fiber Length	-	-	1200	-	-	mm
Leak test	-	-	-	-	9.5 x 10 ⁻⁷	atm.cc/sec
Storage temperature	T _s	-	-50	-	+85	°C

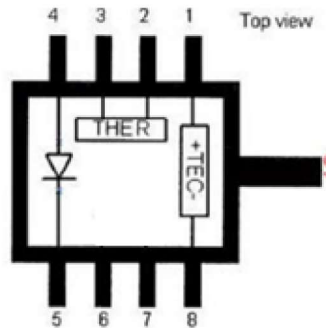
C. MECHANICAL DRAWING



6/16/2020

DenseLight Confidential

Pin Assignment	
1	TEC (+)
2	THERMISTOR
3	THERMISTOR
4	DIODE ANODE (+)
5	DIODE CATHODE (-)
6	
7	
8	TEC (-)



D. DEVICE HANDLING

1. This device has ESD withstand voltage of 500V. EOS may result from improper ESD handling.

E. DISCLAIMER FOR CUSTOMER SPECIFIC APPLICATIONS

DenseLight product is not intended for use other than stated on the application note or as defined in the product specification. The performance of the product should always be tested in the actual application conditions. As our products are used in conditions beyond our control, we cannot assume any liability for damage caused through their use. Users of DenseLight products are solely responsible to thoroughly test and qualify their system and / or application for their intended application and have determined such at their sole discretion. DenseLight cannot assume any liability for the use of our products in conjunctions with other. Customer assumes the sole risk and liability of the product performance other than specified by the product specific data sheet or application notes without DenseLight's specific written consent.